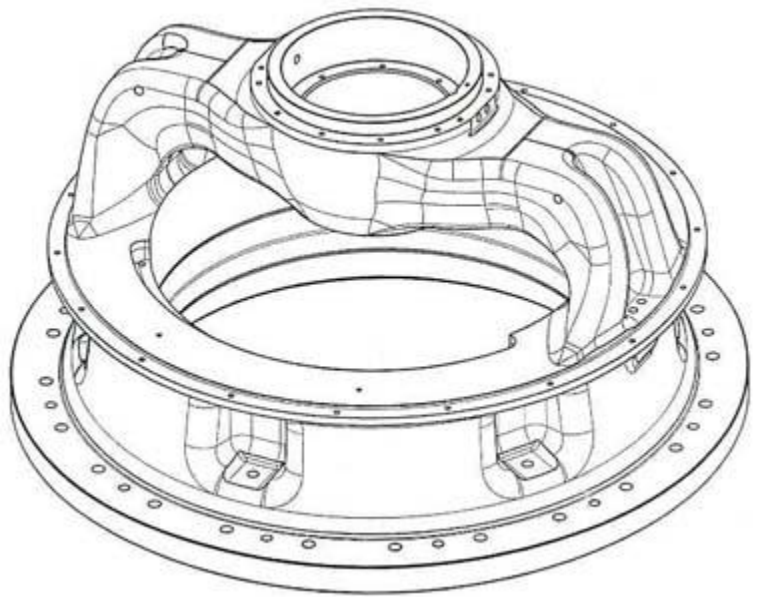
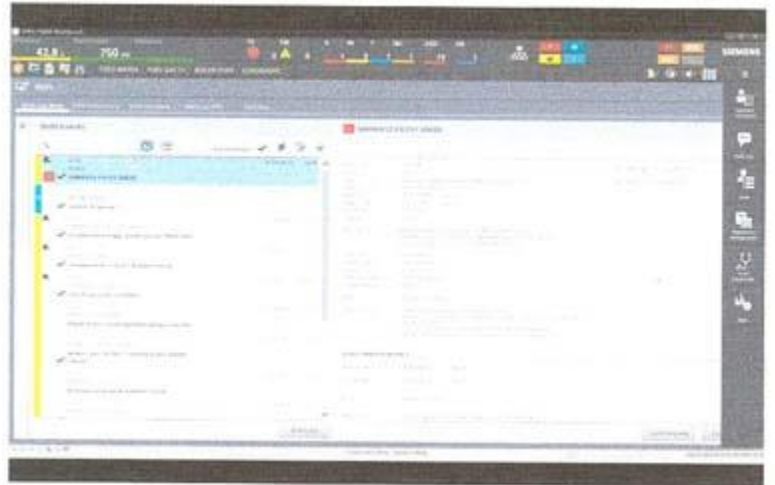


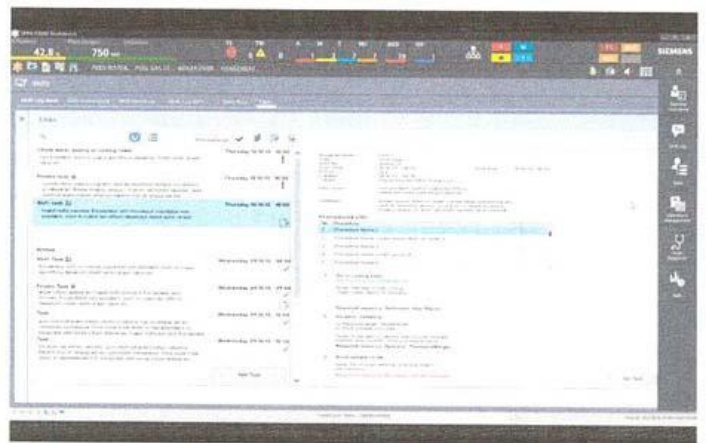
DESIGN NUMBER	307802	
CLASS	15-99	
SANDVIK SRP AB, SVEDALA, 23381, SWEDEN		
DATE OF REGISTRATION	19/07/2018	
TITLE	FRAME STRUCTURE OF A GYRATORY CRUSHER	
PRIORITY		
PRIORITY NUMBER	DATE	COUNTRY
004689941-0001	01/02/2018	EUIPO



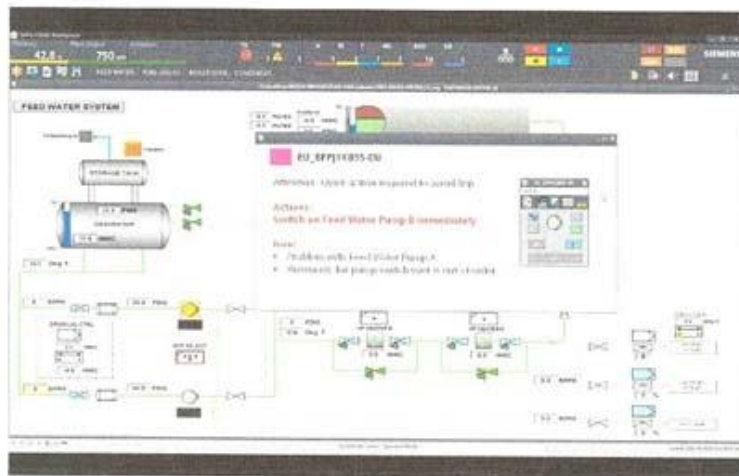
DESIGN NUMBER	274917	
CLASS	14-02	
SIEMENS AKTIENGESELLSCHAFT, WITTELSBACHERPLATZ 2, 80333 MUNCHEN, GERMANY		
DATE OF REGISTRATION	26/08/2015	
TITLE	MONITOR WITH GUI	
PRIORITY		
PRIORITY NUMBER	DATE	COUNTRY
EU 001431613	26/02/2015	OHIM



DESIGN NUMBER	274918	
CLASS	14-02	
SIEMENS AKTIENGESELLSCHAFT, WITTELSBACHERPLATZ 2, 80333 MUNCHEN, GERMANY		
DATE OF REGISTRATION	26/08/2015	
TITLE	MONITOR WITH GUI	
PRIORITY		
PRIORITY NUMBER	DATE	COUNTRY
EU 001431613	26/02/2015	OHIM



DESIGN NUMBER	274925	
CLASS	14-02	
SIEMENS AKTIENGESELLSCHAFT, WITTELSBACHERPLATZ 2, 80333 MÜNCHEN, GERMANY		
DATE OF REGISTRATION	26/08/2015	
TITLE	MONITOR WITH GUI	
PRIORITY		
PRIORITY NUMBER	DATE	COUNTRY
EU 001431621	26/02/2015	OHIM



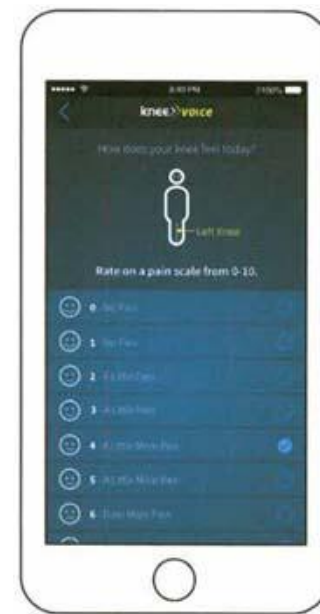
DESIGN NUMBER	306794	
CLASS	02-02	
SABYASACHI COUTURE, 86C, JATIN DAS ROAD, KOLKATA- 700029, STATE OF WEST BENGAL, WHOSE PARTNERS ARE MR. SUKUMAR MUKHERJEE AND MR. SABYASACHI MUKHERJEE.		
DATE OF REGISTRATION	15/06/2018	
TITLE	LADIES GARMENT (SET)	
PRIORITY NA		



DESIGN NUMBER	314775-003	
CLASS	08-06	
JAY SHREE KRUSHNA TRADING CO., 408, GIDC MANJUSAR (SAVLI), NEAR BOMBARDIAR CIRCLE, DIST. VADODARA - 391775, GUJARAT - INDIA, PARTNERS ARE MANAL A. PARIKH AND SONAL A. PARIKH		
DATE OF REGISTRATION	12/02/2019	
TITLE	HANDLE	
PRIORITY NA		



DESIGN NUMBER	284680
CLASS	14-04
KNEEVOICE, INC., 1930 IDAHO AVE., SANTA MONICA, CA 90403, USA.	
DATE OF REGISTRATION	24/06/2016
TITLE	MOBILE PHONE



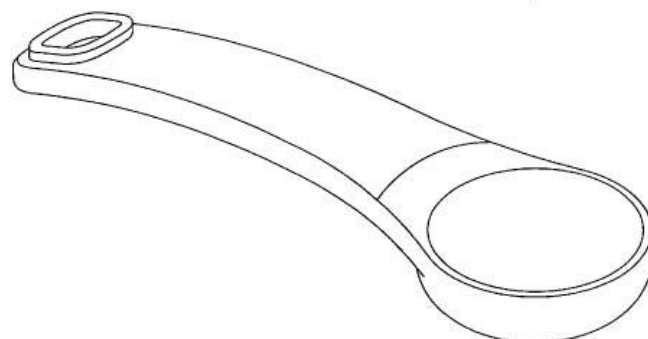
PRIORITY

PRIORITY NUMBER	DATE	COUNTRY
29/550,614	05/01/2016	U.S.A.

DESIGN NUMBER	273850
CLASS	10-04
DART INDUSTRIES INC., 14901 S. ORANGE BLOSSOM TRAIL ORLANDO, FLORIDA 32837, U.S.A.	
DATE OF REGISTRATION	24/07/2015
TITLE	MEASURING SPOON

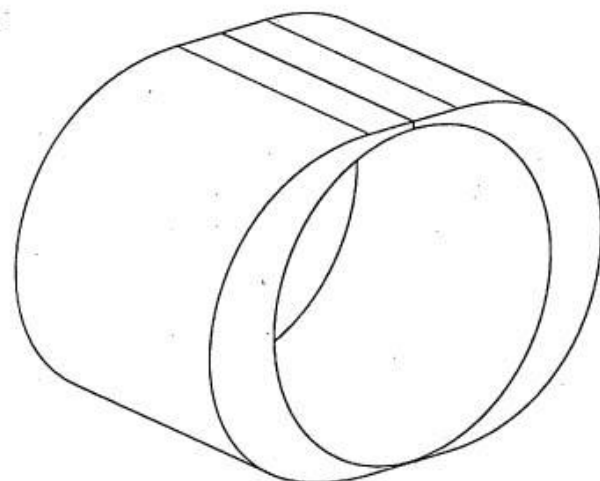
PRIORITY

PRIORITY NUMBER	DATE	COUNTRY
29/474,795	10/02/2015	U.S.A.



DESIGN NUMBER	274019
CLASS	10-07
DANIEL MEASUREMENT AND CONTROL INC., 11100 BRITTMOORE PARK DRIVE, HOUSTON, TX USA 77041	
DATE OF REGISTRATION	30/07/2015
TITLE	SHELL SHROUD FOR ULTRASONIC FLOWMETERS

PRIORITY NA



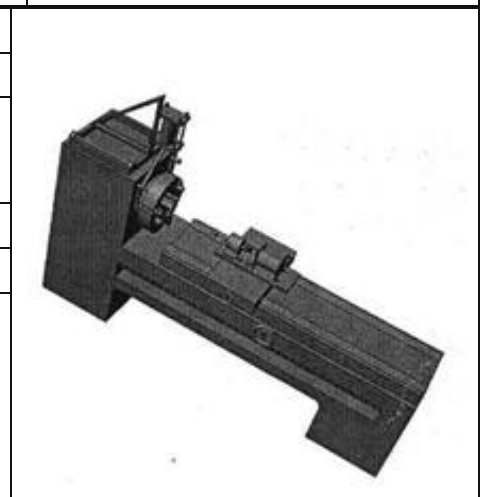
DESIGN NUMBER	271772
CLASS	14-03
RAHUL ASHOK SAWANT, 1/12, SHARDHA NIWAS, RAMNAGAR, BANDREKERWADI NEAR JOYCOACH SHIVSENA SHAKHA MUMBAI-400060, MAHARASHTRA, INDIA	
DATE OF REGISTRATION	28/04/2015
TITLE	MOBILE PHONE
PRIORITY NA	



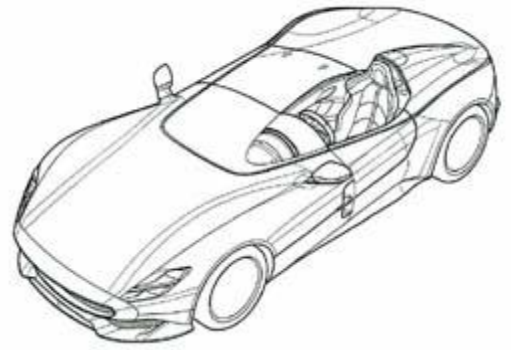
DESIGN NUMBER	284682	
CLASS	14-03	
KNEEVOICE, INC., 1930 IDAHO AVE., SANTA MONICA, CA 90403, USA		
DATE OF REGISTRATION	24/06/2016	
TITLE	MOBILE PHONE	
PRIORITY		
PRIORITY NUMBER	DATE	COUNTRY
29/550,614	05/01/2016	U.S.A.



DESIGN NUMBER	284184	
CLASS	15-09	
DR. N. RAJESH JESUDOSS HYNES, ASSOCIATE PROFESSOR, MEPCO SCHLENK ENGINEERING COLLEGE, SIVAKASI, VIRUDHUNAGAR DISTRICT, TAMIL NADU, INDIA-626005		
DATE OF REGISTRATION	08/06/2016	
TITLE	WELDING MACHINE	
PRIORITY NA		



DESIGN NUMBER	313616-001	
CLASS	12-08	
FERRARI S.P.A., VIA EMILIA EST 1163, MODENA, ITALY.		
DATE OF REGISTRATION	03/01/2019	
TITLE	CAR	
PRIORITY		
PRIORITY NUMBER	DATE	COUNTRY
005403516	04/07/2018	EUIPO



DESIGN NUMBER	314657-001	
CLASS	12-08	
FORD GLOBAL TECHNOLOGIES, LLC, 330 TOWN CENTER DRIVE, SUITE 800, DEARBORN, MICHIGAN 48126 UNITED STATES OF AMERICA.		
DATE OF REGISTRATION	06/02/2019	
TITLE	VEHICLE	
PRIORITY		
PRIORITY NUMBER	DATE	COUNTRY
29/659,498	09/08/2018	U.S.A.



DESIGN NUMBER	260397	
CLASS	14-04	
MICROSOFT CORPORATION, ONE MICROSOFT WAY, REDMOND, WA, 98052, U.S.A.		
DATE OF REGISTRATION	17/02/2014	
TITLE	DISPLAY SCREEN WITH GRAPHICAL USER INTERFACE	
PRIORITY		
PRIORITY NUMBER	DATE	COUNTRY
29/465,677	30/08/2013	U.S.A.

